

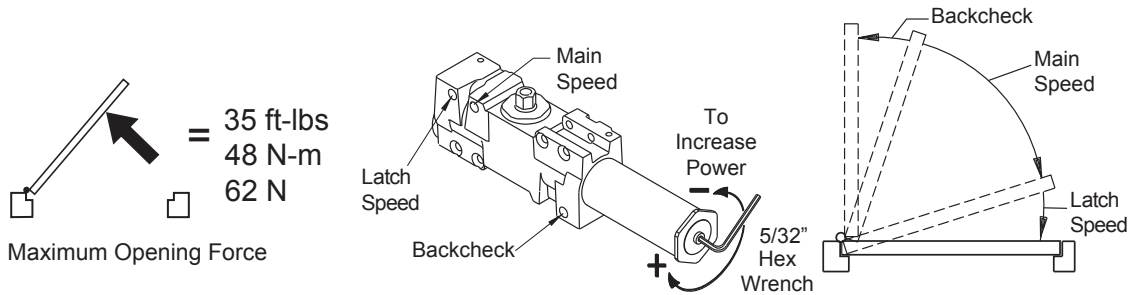


24191

# 4040SEL Sentronic



Installation Instructions



## Installation

- 1a This closer features two mounting options. Before beginning, determine which type of mounting best applies to your application or has been specified for the job, then be sure to use the proper template.
- 1b The voltage shown on the track cover plate must match voltage supplied to door frame (24V or 120V). If **concealed wiring** is desired, prepare the frame to specifications shown on the corresponding template (pull side or push side). If **surface wiring** is desired, be sure to mount track on frame **before** running any EMT / conduit.
- 1c Depending on mounting used, insert proper track plugs into side or top of the track. Using fasteners provided, mount track on frame to the dimensions of the template being used. Remove solenoid cover plate and make electrical connections (See Pg. 2). NOTE: Switch hole in cover plate **MUST** be aligned with test / release switch when re-attaching plate to track.
- 1d Before mounting closer, the spring power may need adjusting. The 4040 SEL comes preset as a size 3. This will control a door up to 38" wide. If door is wider than 38", adjust closer as shown (see illustration below) up to 7 full turns. Starting the cover screws at this point is recommended. Using fasteners provided, mount closer on door to the dimensions of the template being used.
- 1e Arm Installation: Install arm as follows:
  1. **Push side mounting:** Place arm hub over top closer shaft, parallel with door. Place a wrench on bottom shaft of closer and rotate away from door. When flats in arm hub line up with the first available flats of the shaft, slide arm hub onto shaft. Insert shaft screw and tighten securely.
  2. **Pull side mounting:** Place arm hub over top closer shaft, parallel with door. Rotate arm away from door until flats in arm hub line up with first available flats of shaft. Slide arm hub onto closer shaft. Insert shaft screw and tighten securely.
- 1f Loosen the set screw in arm. Connect arm to track roller, and tighten set screw firmly.

- 1g **To adjust hold-open position of door:** Remove screw in the adjustable arm and open door to desired position. Re-insert screw and tighten securely.
- 1h Regulation: Do not allow door to slam into frame. A "normal" closing time from a 90° position is 5 to 7 seconds, evenly divided between **MAIN** and **LATCH SPEEDS**. If adjustments are needed, use a 3/32" hex wrench. To adjust **MAIN SPEED**, turn regulating screw (see illustration) clockwise to slow speed or c.c.w. to increase speed. **LATCH SPEED** is adjusted in the same way. When adjusting **BACKCHECK**, use least amount necessary to retard swing of door sufficiently. To adjust **BACKCHECK**, turn regulating screw clockwise to increase the amount of force or c.c.w. to reduce the amount of force. **DO NOT USE AN ABRUPT BACKCHECK SETTING OR EXPECT THE DOOR CLOSER TO AS A STOP!**
- 1i With regulation done, place snap on clip insert into proper cutout then snap cover assembly onto spring tube.

**⚠ CAUTION ⚠**

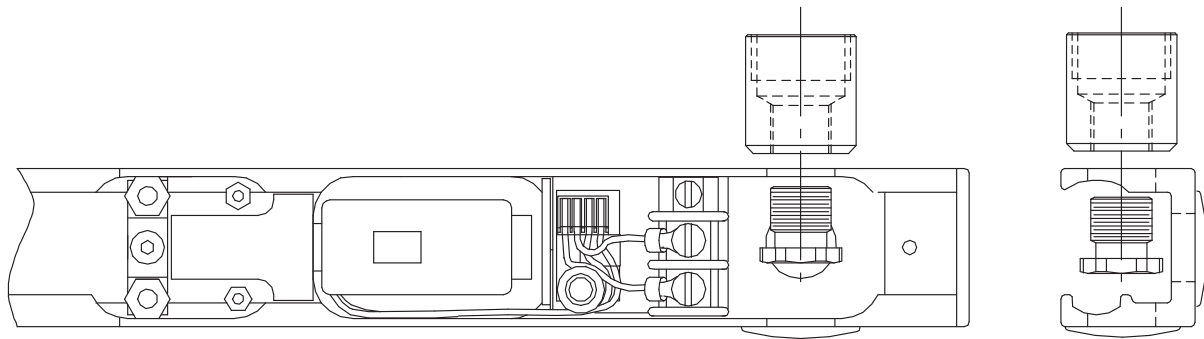
**Improper installation or regulation may result in personal injury or property damage. Follow all instructions carefully. For questions, call LCN at 877-671-7011**

**Customer Service**

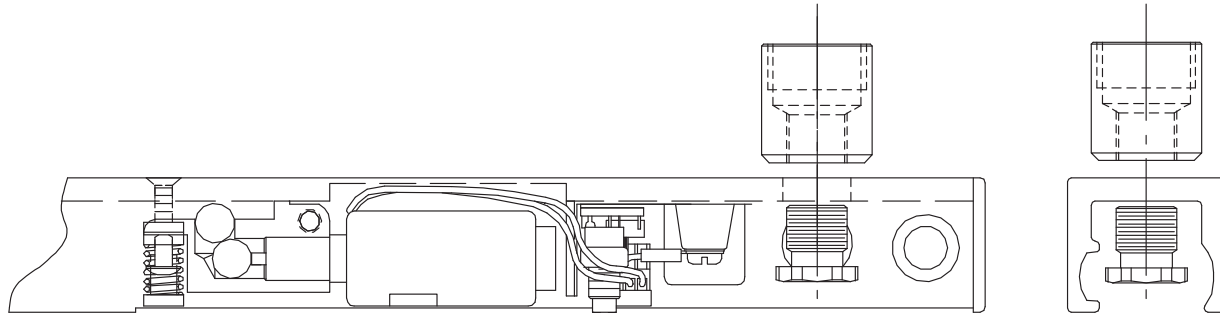
1-877-671-7011    www.allegion.com/us



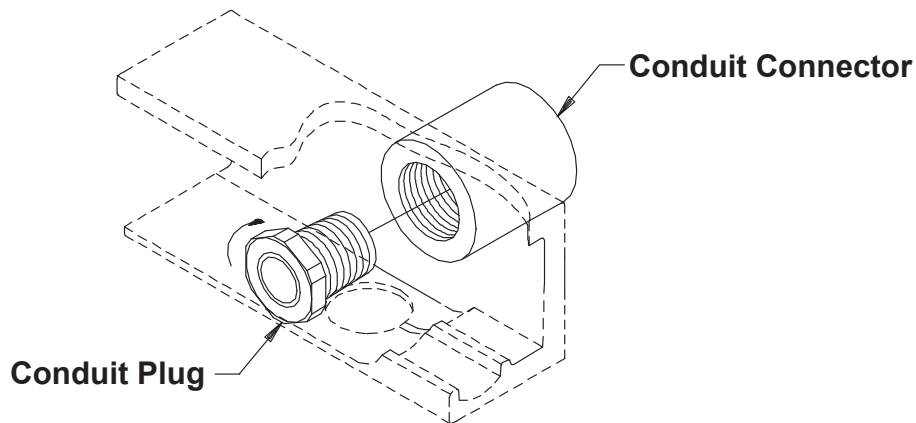
## Conduit Quick Connector



**Fig. 1**



**Fig. 2**

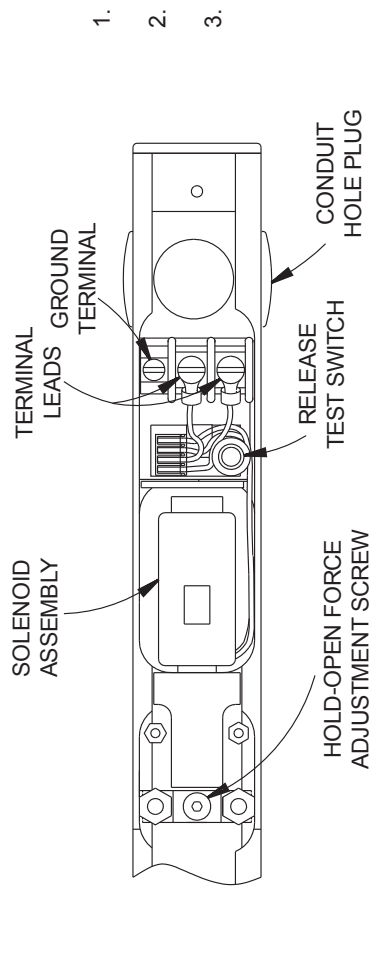
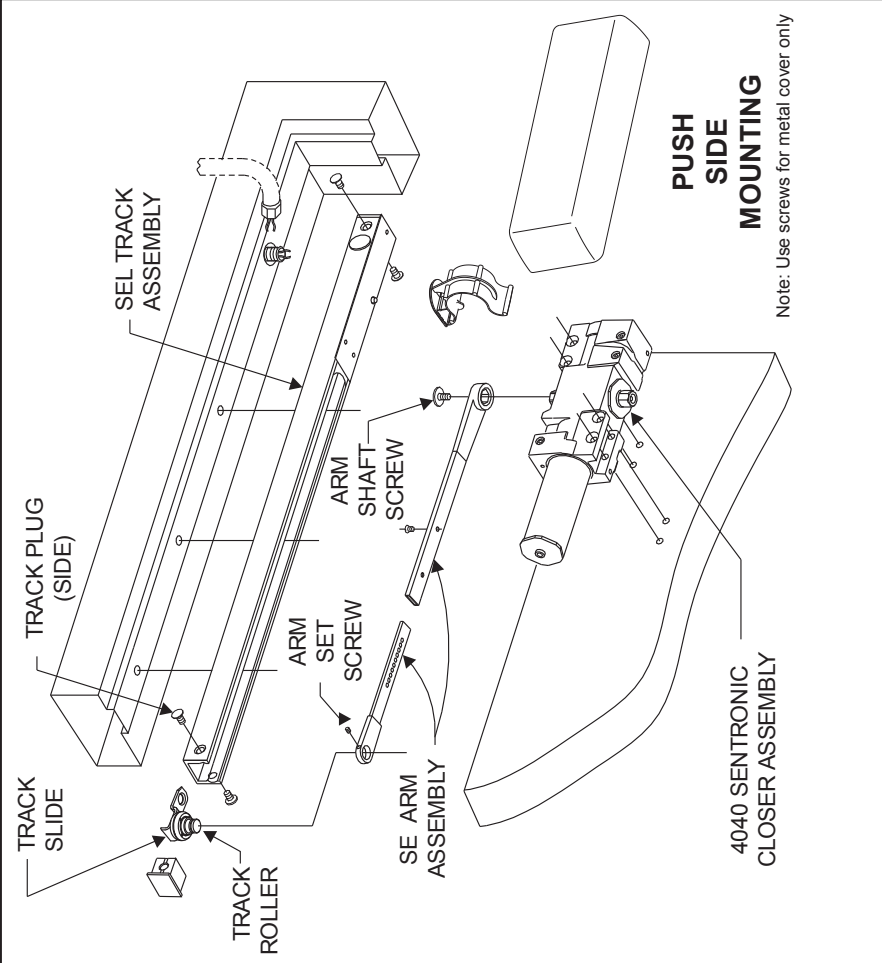
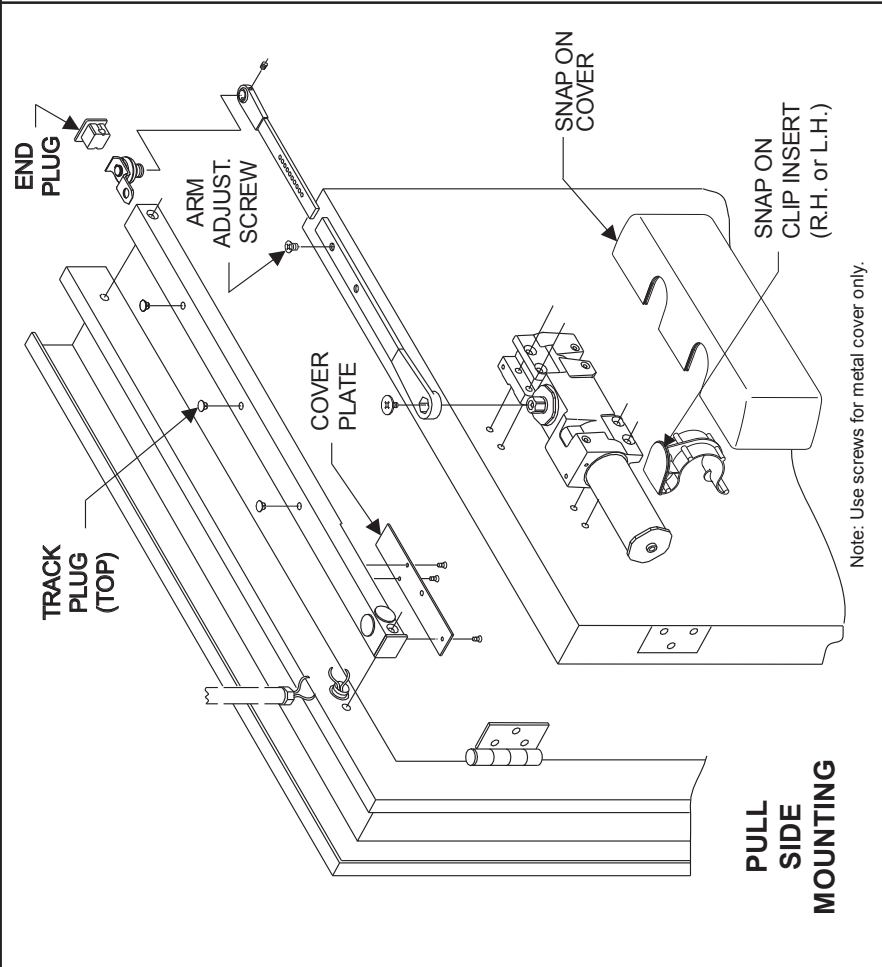


**Fig. 3**

**Conduit Plug shown  
in Conduit Connector**

### Installation Instructions

- 1a The Conduit Quick Connector and Plug can be found in the closer screwpack.
- 1b The Conduit Quick Connector should be fastened to the 1/2" concealed conduit prior to step 3 on the closer installation instructions.
- 1c During step 3 on the closer installation instructions, make sure that the Conduit Connector is secured flush against the track surface. See option in Fig. 1 below that matches the mounting option selected for track surface. With the track mounted, take the Conduit Plug and slide it through the 1/2" hole in the track. (see Fig.2) Tighten the Plug into the Conduit Connector using a 5/8" wrench, until completely secure, as shown in Fig.3.



**HOLD OPEN FORCE ADJUSTMENT:** Locate hold-open adjustment screw in diagram above. For greater hold open force, insert socket screw key wrench (included in screwpack) and turn clockwise. To decrease amount of hold open force, turn screw counter-clockwise. Maximum of 4 turns.

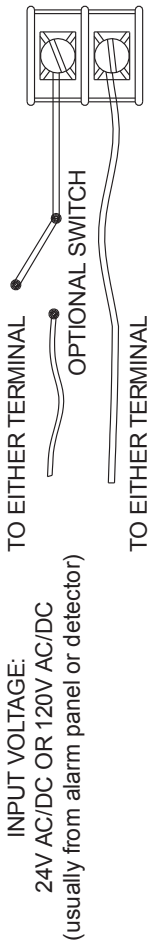
**ELECTRICAL CHECKOUT:**

1. With power on, open door completely. Door should remain in open position. If door does not stay open, check electrical input.
2. Push release test switch. Door should close immediately. Open the door to hold-open position and let it remain there.
3. System should be checked at frequent intervals. It is suggested that step 2 be repeated every 90 days.

**WARNING**

**HAZARDOUS VOLTAGE CAN SHOCK AND CAUSE SEVERE INJURY**  
Disconnect power before making any electrical connections or performing maintenance.

**WIRING DIAGRAM - POLARITY NOT IMPORTANT**



4040SEL { 90° TO 120° HOLD OPEN

AUXILIARY STOP RECOMMENDED

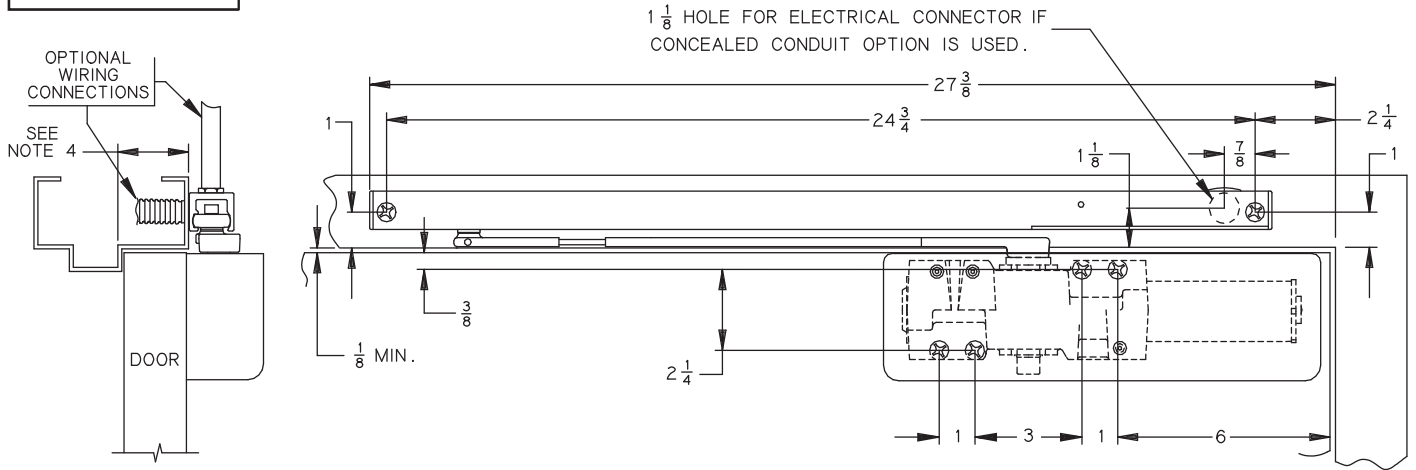
**WARNING**



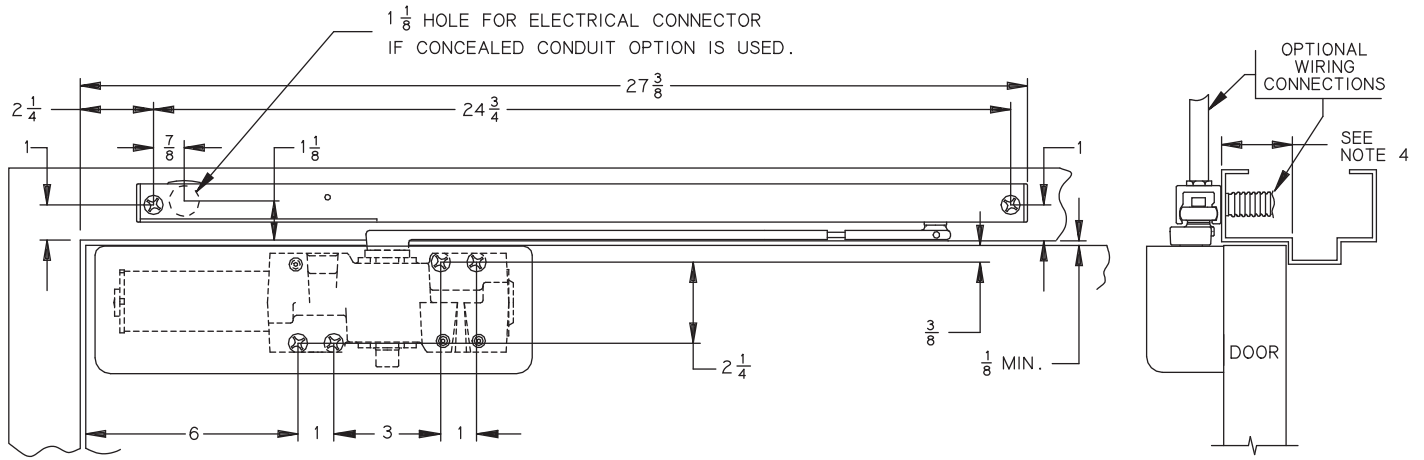
**HAZARDOUS VOLTAGE  
CAN SHOCK AND  
CAUSE SEVERE INJURY**

Disconnect power before making any electrical connections or performing maintenance.

**DOOR HOLDER SOLENOID DATA**  
 24 VAC - DC Nominal =10% - 15% @ .090 Amp.Max.  
 120VAC - DC Nominal =10% - 15% @ .030 Amp. Max.



TEMPLATING FOR LEFT HAND DOOR



TEMPLATING FOR RIGHT HAND DOOR

**NOTES-**

1. Voltage supplied to unit MUST match voltage shown on Sentronic<sup>®</sup> label.
2. If door is hung on pivots: Locate closer and track from pivot point of center pivot. For offset pivots, locate from pivot point and add 3/8".
3. Floor or wall stops should be used.
4. If this dimension is greater than 1 15/16", consult factory.
5. Reinforcing per ANSI/SDI-100 is recommended for hollow metal doors and frames.
6. If swing clear hinges are being used, consulty factory.

INCH	1/8	1/4	3/8	7/8	15/16	1	1 1/16	1 1/8
M. M.	3	6	10	22	24	25	27	29

INCH	1 1/2	1 15/16	2 1/4	2 7/8	3	3 1/4	6	24 3/4	27 3/8
M. M.	38	49	57	73	76	83	152	619	695

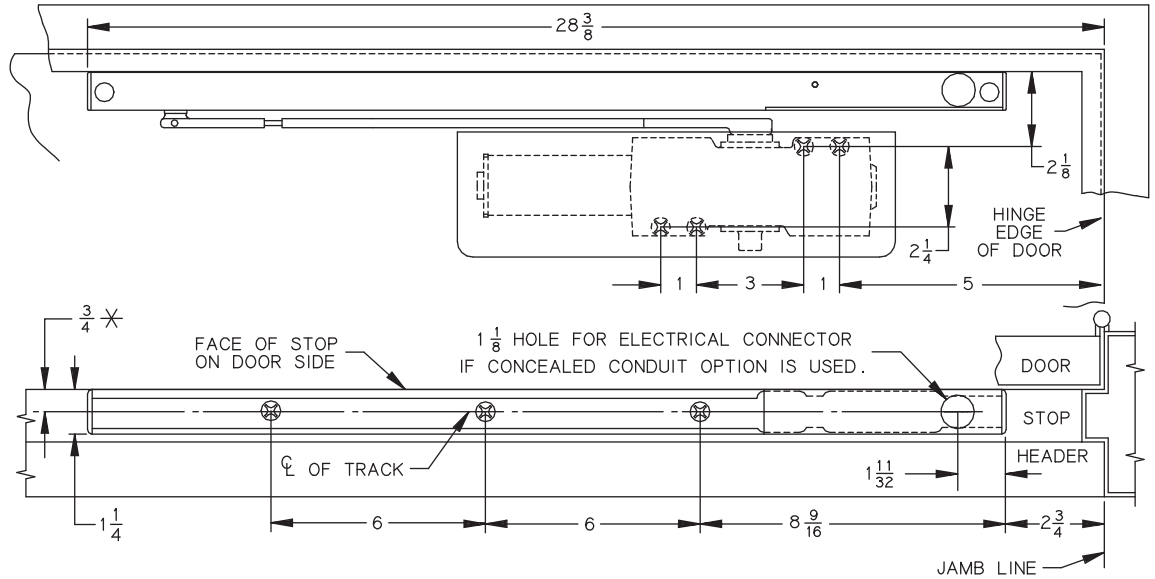
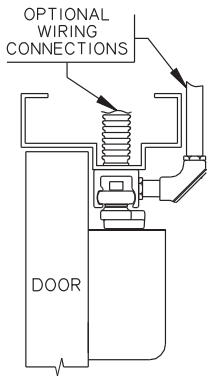
**4040SEL**  
HINGE FACE MOUNTED

4040SEL } 90° TO 120° HOLD OPEN

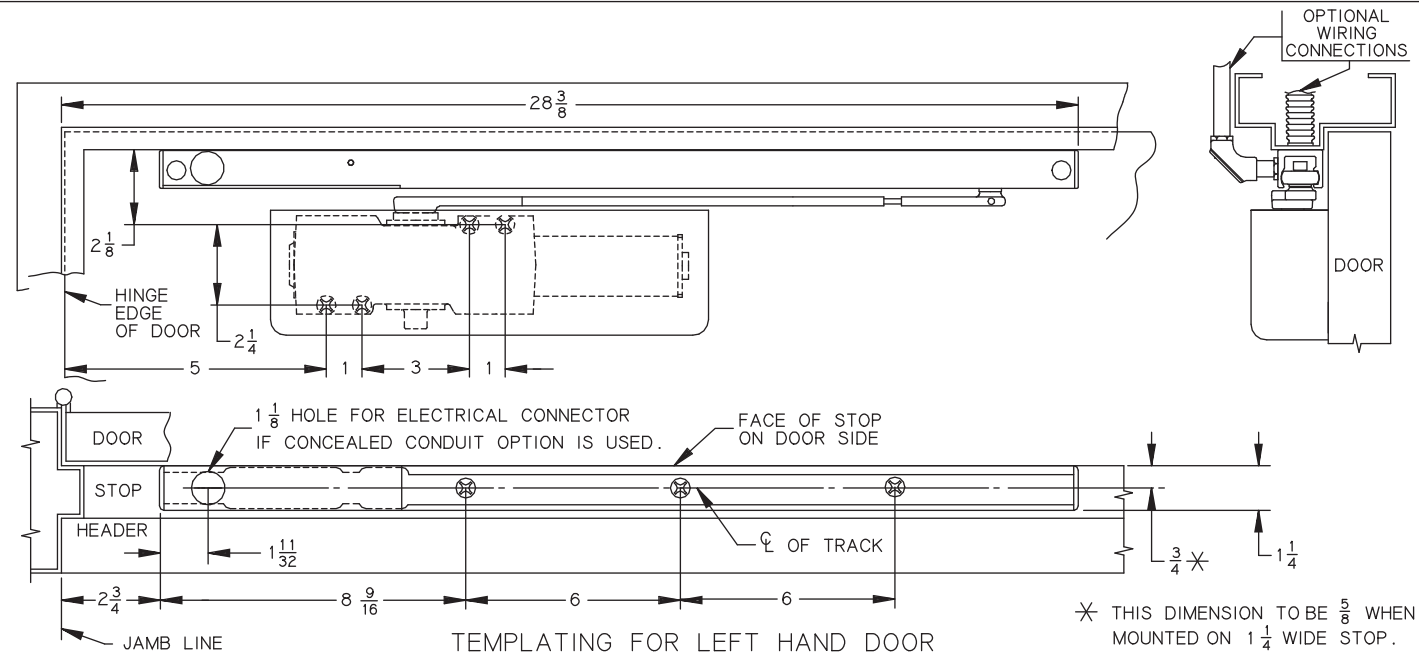
AUXILIARY STOP RECOMMENDED

**DOOR HOLDER SOLENOID DATA**  
 24VAC - DC Nominal =10% - 15% @ .090 Amp. Max.  
 120 VAC - DC Nominal =10% - 15% @ .030 Amp Max.

\* THIS DIMENSION TO BE  $\frac{5}{8}$  WHEN MOUNTED ON  $1\frac{1}{4}$  WIDE STOP.



TEMPLATING FOR RIGHT HAND DOOR



\* THIS DIMENSION TO BE  $\frac{5}{8}$  WHEN MOUNTED ON  $1\frac{1}{4}$  WIDE STOP.

TEMPLATING FOR LEFT HAND DOOR

**NOTES-**

1. Voltage supplied to unit MUST match voltage shown on Sentronic® label.
2. Electrical connector is provided by LCN.
3. Locate closer and track from C of pivot or swing - clear hinge pin, if used.
4. Floor or wall stops should be used.
5. Reinforcing per ANSI/SDI-10Q is recommended for hollow metal doors and frames.

INCH	$\frac{1}{4}$	$\frac{9}{16}$	$\frac{5}{8}$	1	$1\frac{1}{8}$	$1\frac{1}{4}$	$1\frac{11}{32}$	$1\frac{1}{2}$
M.M.	6	14	16	25	29	32	34	28

INCH	$2\frac{1}{8}$	$2\frac{1}{4}$	$2\frac{7}{8}$	3	4	5	6	$8\frac{9}{16}$	$28\frac{3}{8}$
M.M.	54	57	73	76	102	127	152	217	721

**4040SEL**  
 STOP-SIDE MOUNTED