



28501

Drop Plates

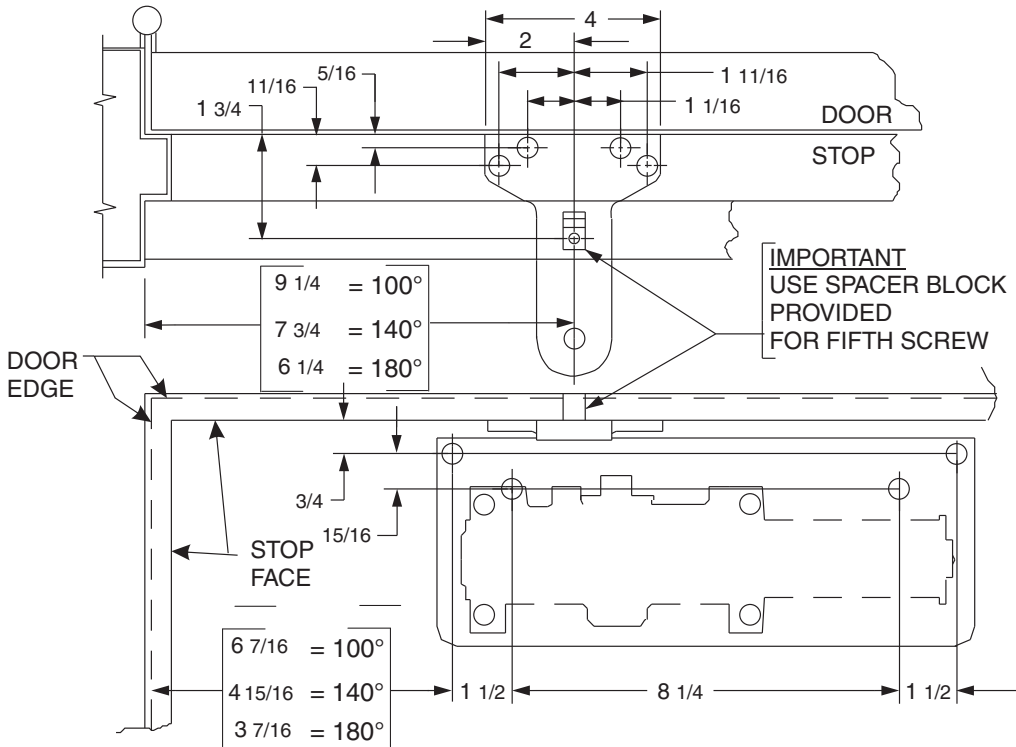
LCN®

4110, 4110 Cush, 4210, 4210 Cush, 4110T, 4210T

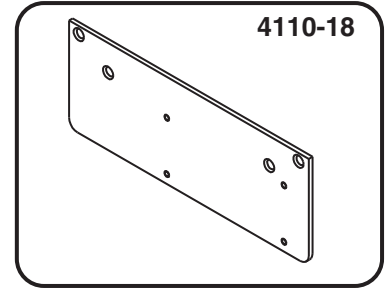
Templates

4110 PUSH SIDE (DOOR MOUNT) DROP PLATE

PERMITS 180° MAXIMUM OPENING



**PUSH SIDE MOUNT ON:
4110-18 DROP PLATE**

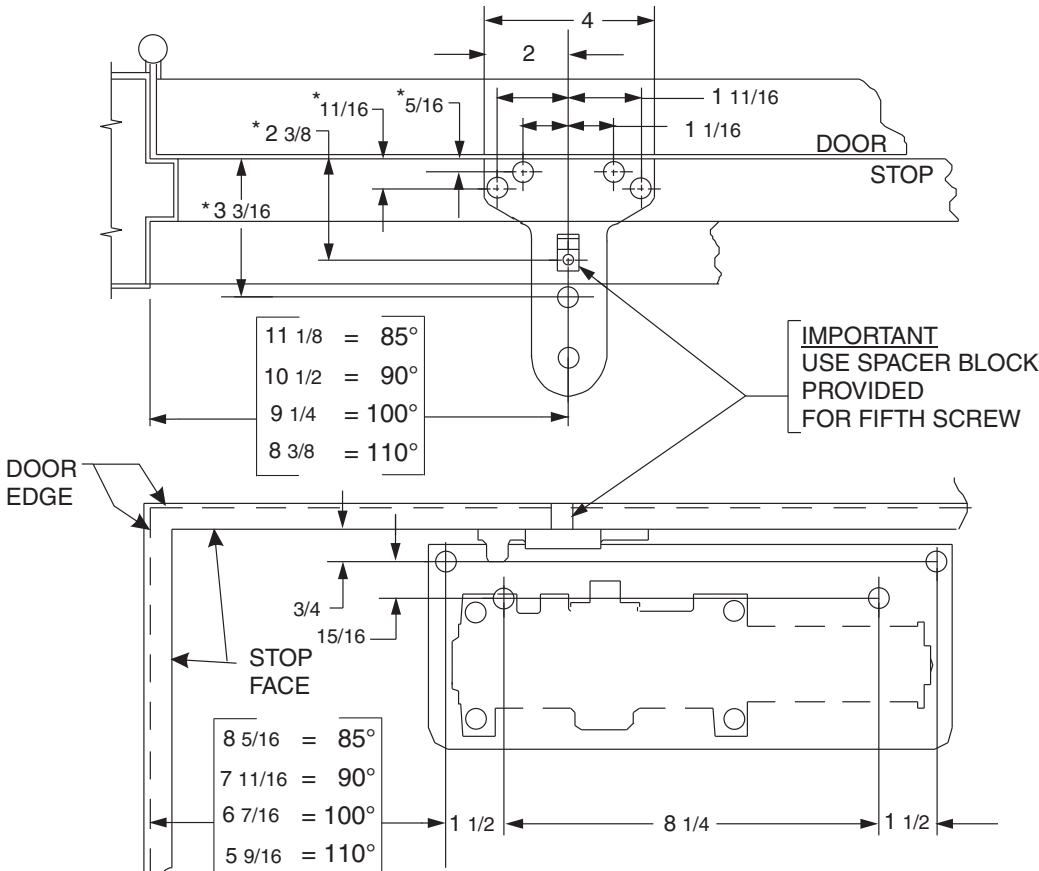


LEFT HAND DOOR SHOWN,
RIGHT HAND DOOR OPPOSITE

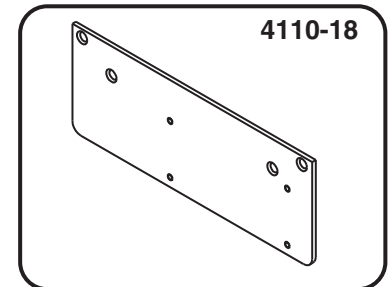
INCH	5/16	11/16	3/4	15/16	1 1/16	1 1/2	1 11/16	1 3/4	2
M.M.	8	17	19	24	27	38	43	44	51
INCH	2 3/8	3 3/16	3 7/16	4	4 15/16	6 1/16	6 1/4	6 7/16	6 15/16
M.M.	60	81	87	102	125	154	159	164	176
INCH	7 3/4	8 3/16	8 1/4	8 13/16	8 7/8	9 1/4	9 3/4	11	11 5/8
M.M.	197	208	210	224	225	235	248	279	295

4110 CUSH PUSH SIDE (DOOR MOUNT) DROP PLATE

PERMITS 110° MAXIMUM OPENING



**PUSH SIDE MOUNT ON:
4110-18 DROP PLATE**

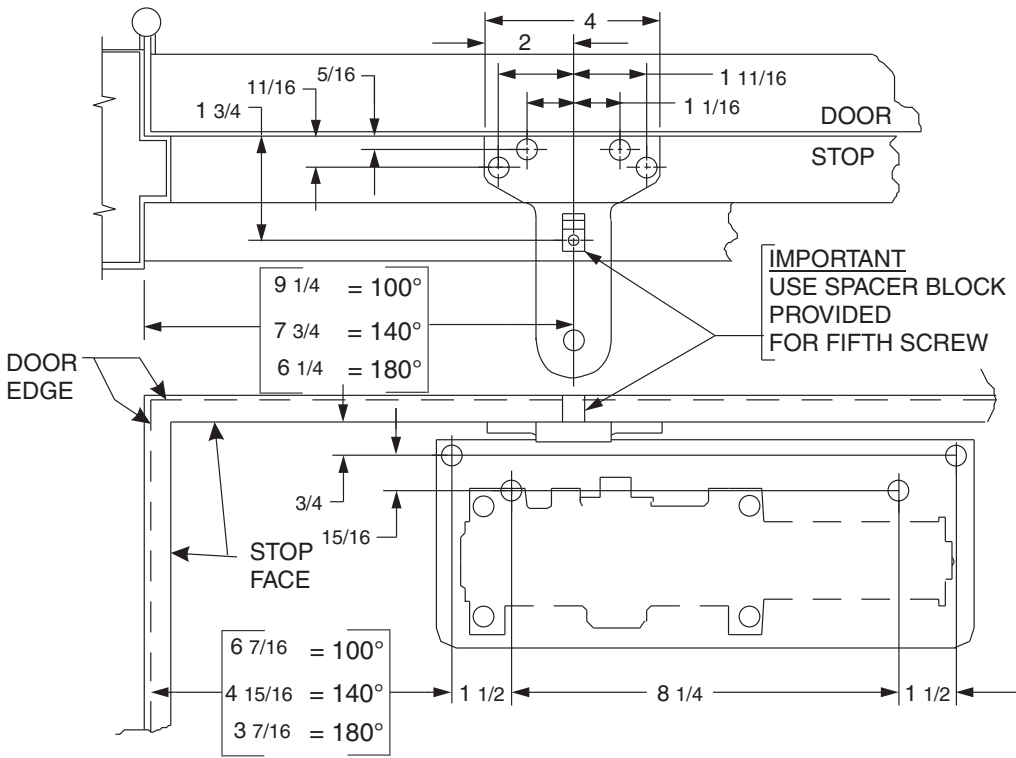


LEFT HAND DOOR SHOWN,
RIGHT HAND DOOR OPPOSITE

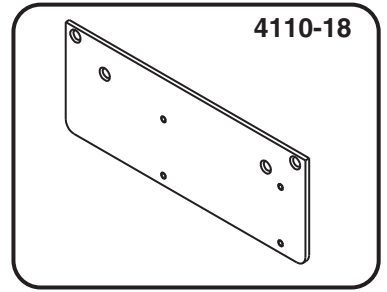
NOTE:
* INCREASE THESE
DIMENSIONS 1/4"
WHEN SPRING CUSH
OPTION IS USED.

4210 PUSH SIDE (DOOR MOUNT) DROP PLATE

PERMITS 180° MAXIMUM OPENING



**PUSH SIDE MOUNT ON:
4110-18 DROP PLATE**

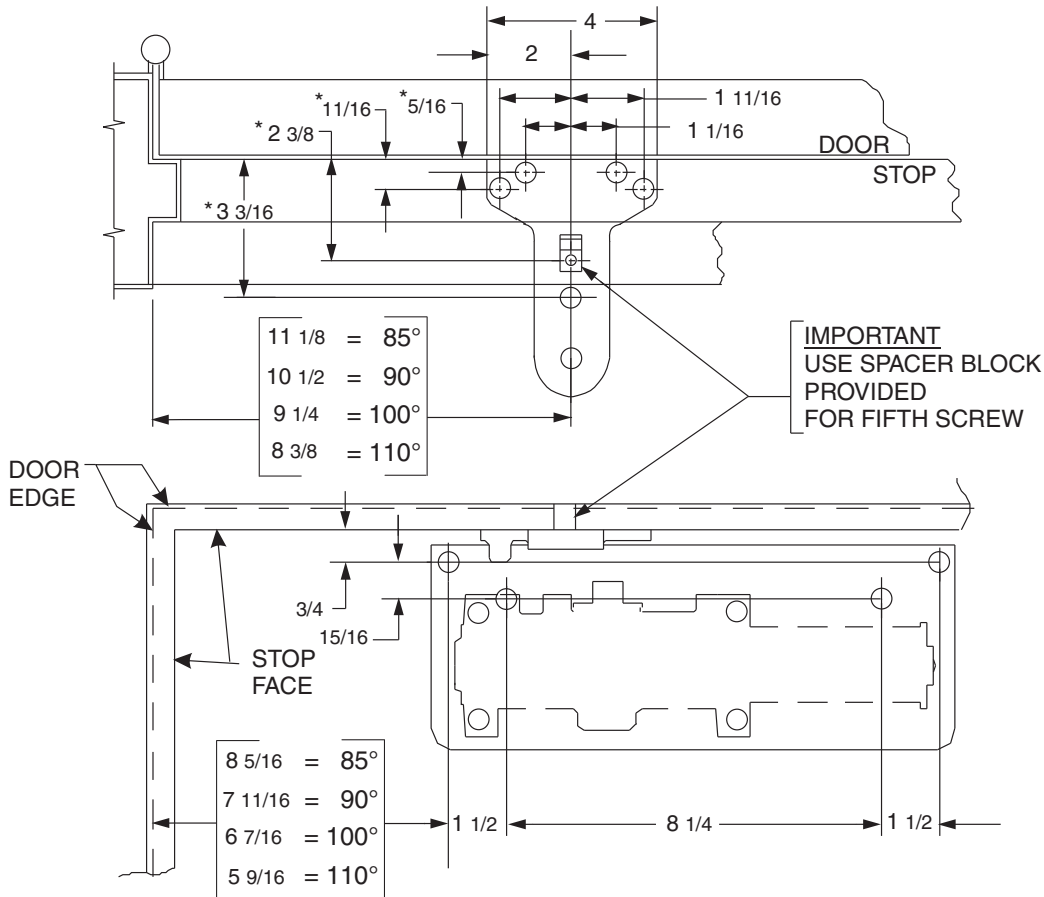


LEFT HAND DOOR SHOWN,
RIGHT HAND DOOR OPPOSITE

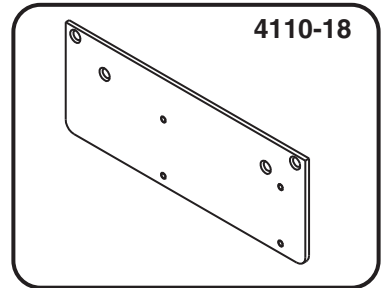
INCH	$\frac{5}{16}$	$\frac{11}{16}$	$\frac{3}{4}$	$\frac{15}{16}$	$1 \frac{1}{16}$	$1 \frac{1}{2}$	$1 \frac{11}{16}$	$1 \frac{3}{4}$	2
M.M.	8	17	19	24	27	38	43	44	51
INCH	$2 \frac{3}{8}$	$3 \frac{3}{16}$	$3 \frac{7}{16}$	4	$4 \frac{15}{16}$	$6 \frac{1}{16}$	$6 \frac{1}{4}$	$6 \frac{7}{16}$	$6 \frac{15}{16}$
M.M.	60	81	87	102	125	154	159	164	176
INCH	$7 \frac{3}{4}$	$8 \frac{3}{16}$	$8 \frac{1}{4}$	$8 \frac{13}{16}$	$8 \frac{7}{8}$	$9 \frac{1}{4}$	$9 \frac{3}{4}$	11	$11 \frac{5}{8}$
M.M.	197	208	210	224	225	235	248	279	295

4210 CUSH PUSH SIDE (DOOR MOUNT) DROP PLATE

PERMITS 110° MAXIMUM OPENING



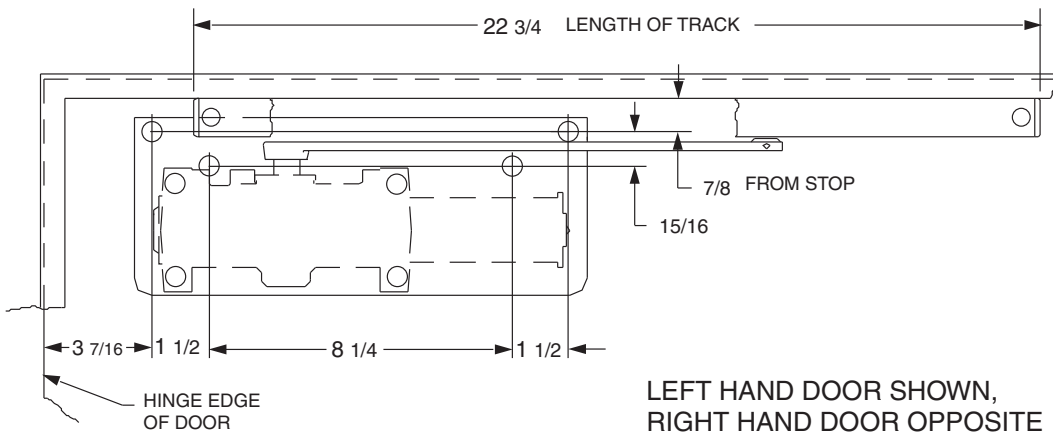
**PUSH SIDE MOUNT ON:
4110-18 DROP PLATE**



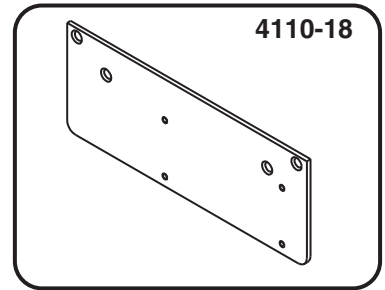
NOTE:
* INCREASE THESE
DIMENSIONS $\frac{1}{4}$ "
WHEN SPRING CUSH
OPTION IS USED.

4110T PUSH SIDE (DOOR MOUNT) DROP PLATE

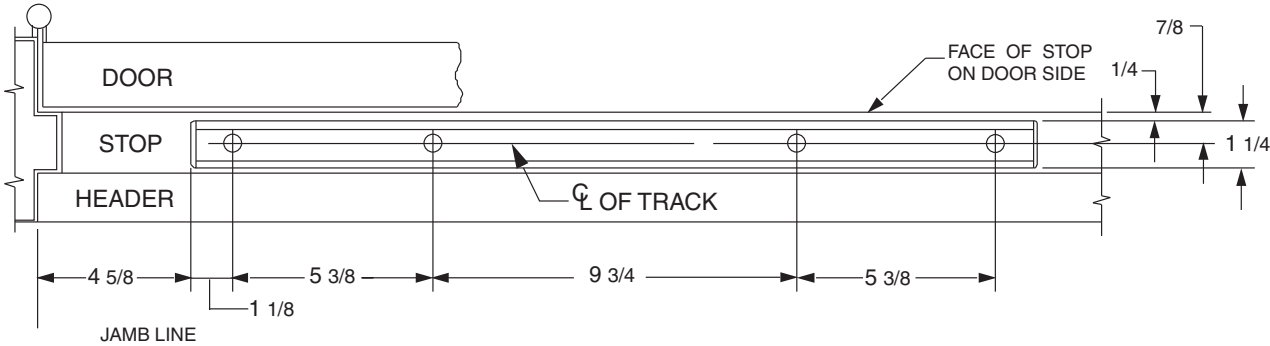
PERMITS 110° MAXIMUM OPENING



**PUSH SIDE MOUNT ON:
4110-18 DROP PLATE**

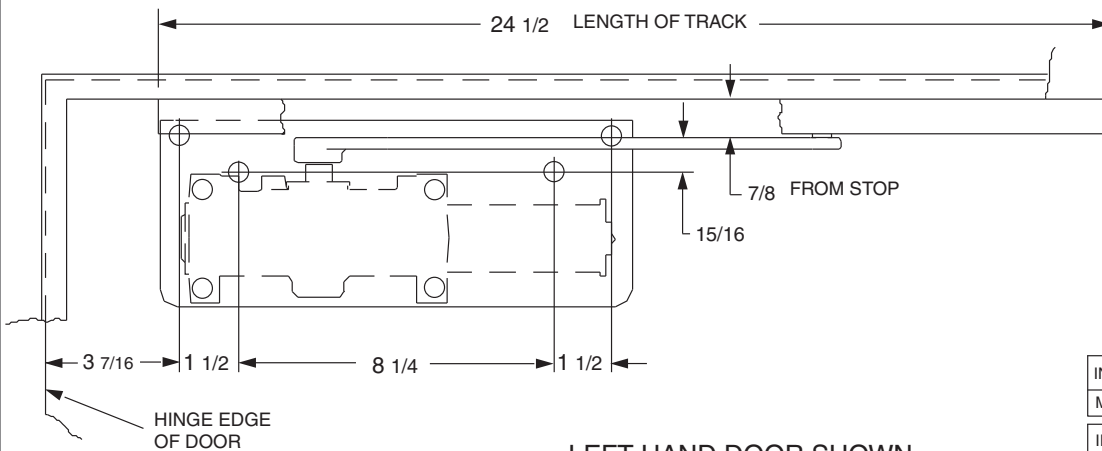


LEFT HAND DOOR SHOWN,
RIGHT HAND DOOR OPPOSITE

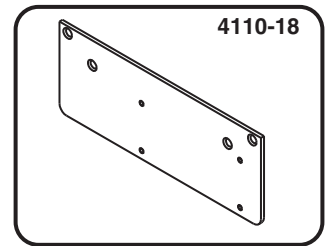


4210T PUSH SIDE (DOOR MOUNT) DROP PLATE

PERMITS 110° MAXIMUM OPENING

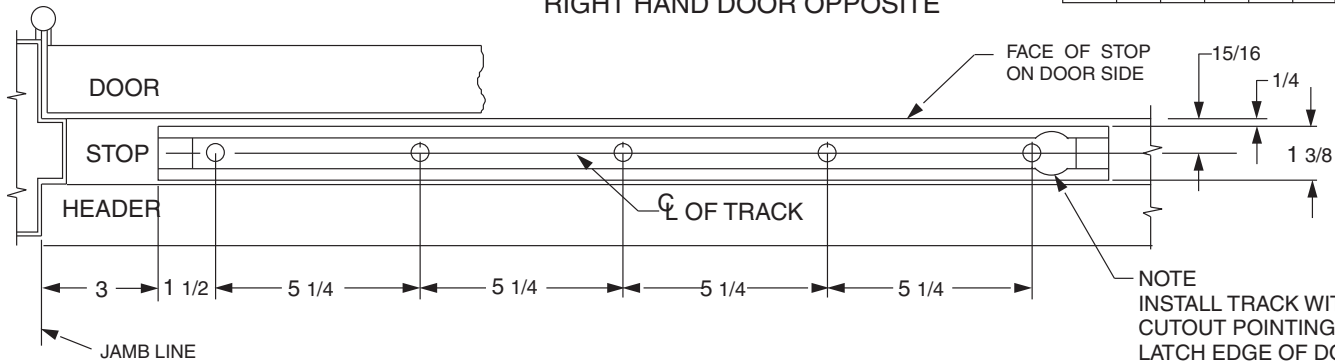


**PUSH SIDE MOUNT ON:
4110-18 DROP PLATE**



LEFT HAND DOOR SHOWN,
RIGHT HAND DOOR OPPOSITE

INCH	1/4	7/8	15/16	1 1/8	1 1/4	1 3/8	1 1/2	3
M.M.	13	22	24	38	38	38	38	49
INCH	3 7/16	4 5/8	5 1/4	5 3/8	8 1/4	9 3/4	21 3/4	22 3/4
M.M.	64	105	113	119	164	189	553	578



NOTE
INSTALL TRACK WITH CIRCULAR
CUTOUT POINTING TOWARD
LATCH EDGE OF DOOR.

Customer Service

1-877-671-7011

www.allegion.com/us



© Allegion 2014
Printed in U.S.A.
28501 Rev. 01/14-f